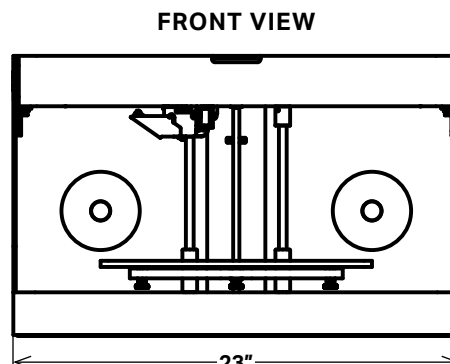
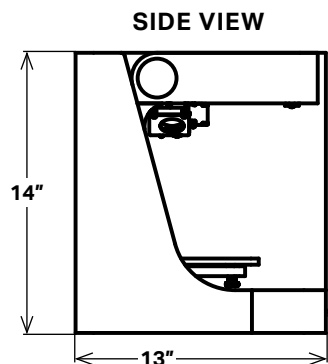


PRINTER SPECIFICATIONS

MARK TWO

Replace machined aluminum tooling - jigs, jaws and fixtures - with stronger parts for a fraction of the price. The Mark Two combines Markforged's unique continuous carbon fiber reinforcement with workhorse reliability for versatile parts with 23x the strength of ABS, ready same-day for use straight off the printer.

PRINTER PROPERTIES	Process	Continuous Fiber Reinforced Plastics
	Build Volume	320 x 132 x 154 mm (12.6 x 5.2 x 6 in)
	Weight	16 kg (35 lbs)
	Machine Footprint	584 x 330 x 355 mm (23 x 13 x 14 in)
	Print Bed	Flat to within 160 um - Kinematic coupling
	Power	100-240VAC, 150W (2A peak)
	PART PROPERTIES	Layer Height
Ultimate Tensile Strength		700 MPa (22.6x ABS, 19.4x Onyx)
Max Flexural Stiffness		51 GPa (24.8x ABS, 17.6x Onyx)
Infill		Closed Cell Infill: Multiple geometries available
SOFTWARE	Supplied Software	Markforged Software - Cloud Storage, Local Storage, or Fully On-Premise (\$5,000 added fee)
	Security	Two Factor Auth, Org Admin Access, Single Sign On
MATERIALS	Plastics Available	Onyx
	Fibers Available	Carbon Fiber, Fiberglass, Kevlar, High Strength/High Temp Fiberglass
MACHINE COST		\$ 13,499 SRP



All specifications approximate and subject to change without notice.